



TIP-ON for doors

Technical data sheet

www.blum.com

 **blum**[®]

TIP-ON for doors



Ordering and planning information

Product

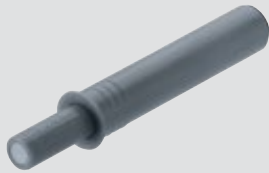


Description

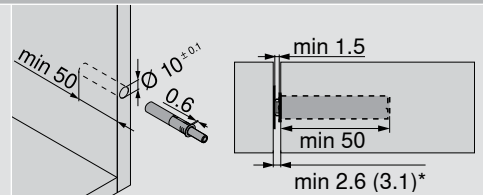
Handle-less furniture can be opened with a light touch thanks to the TIP-ON mechanical opening support system. The furniture can be closed again by simply pressing the front. Unsprung hinges are used for TIP-ON for doors along with magnets.

With regard to the extended ejector with pre-set positions, when assembly is complete the door gap can be adjusted easily, without tools. TIP-ON can be adjusted so that it is the perfect match for your cabinet interior. TIP-ON is available in nickel finish (NI-L), silk white (SW), platinum grey (PG) and terra black (TS), giving you great freedom of design. It also blends in harmoniously with furniture interiors.

Short version



- TIP-ON short version with magnet
- For overlay doors up to approx. 1300 mm height
- For drilling $\text{Ø } 10 \times 50 \text{ mm}$
- Material: Nylon
- Output path approx. 17 mm



* min. 2.6 mm with glue-on catch plate

* min. 3.1 mm with screw-on catch plate

Colour variants

SW

PG

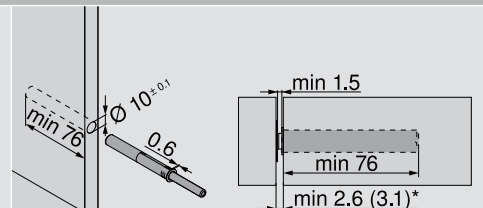
TS

956.1002

Long version



- TIP-ON long version with magnet
- For overlay doors starting at approx. 1300 mm height or inset doors
- For drilling $\text{Ø } 10 \times 76 \text{ mm}$
- Material: Nylon
- Output path approx. 38 mm



* min. 2.6 mm with glue-on catch plate

* min. 3.1 mm with screw-on catch plate

Colour variants

SW

PG

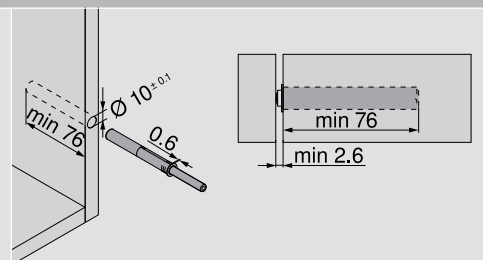
TS

956A1002

Long version with bumper



- TIP-ON long version with bumper
- For hinges with springs*
- No catch plate required**
- For drilling $\text{Ø } 10 \times 76 \text{ mm}$
- Material: Nylon
- Output path approx. 38 mm



* A trial application is recommended

** We recommend using a catch plate for fixing to very soft surfaces

Colour variants

SW

PG

TS

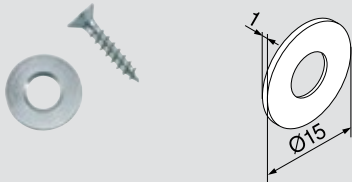
956A1006

TIP-ON for doors

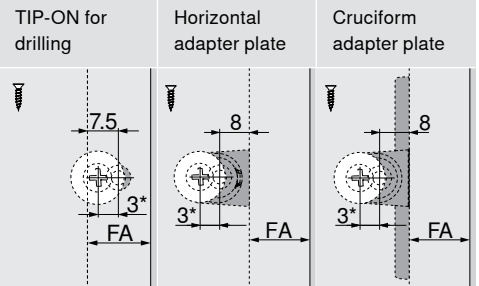


Ordering and planning information

Screw-on catch plate



- TIP-ON screw-on catch plate
- Material: Steel, nickel plated
- Incl. chipboard screws 609.1500
- For hard surfaces and/or MDF, Ø 2.5 mm pre-drilling and countersinking, if required



* For screw-on catch plates we recommend positioning 3 mm away from TIP-ON.

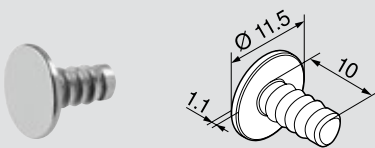
FA Front overlay

Colour variants

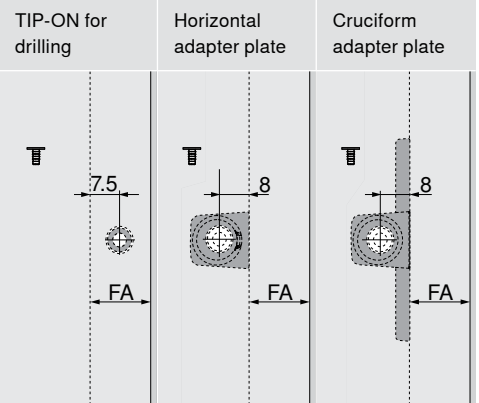
Steel, nickel plated

955.1008S

Press-in catch plate



- TIP-ON press-in adhesive plate
- Material: Steel, nickel plated
- Ø 11.5 mm
- Pre-drilled Ø 5 mm



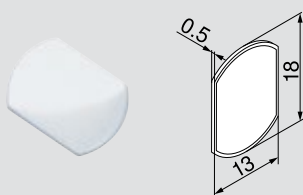
FA Front overlay

Colour variants

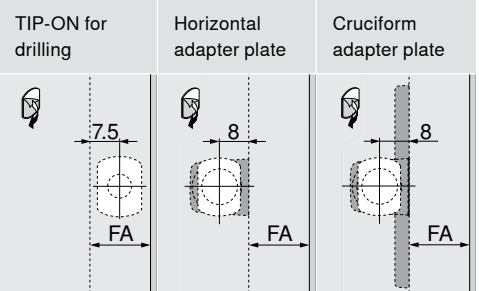
Steel, nickel plated

955.1008D

Glue-on catch plate



- TIP-ON glue-on catch plate
- Material: Steel, nickel plated
- The surface of the front must be clean, oil-free and dry



FA Front overlay

Colour variants

Steel, nickel plated

955.1008

TIP-ON for doors



Ordering and planning information

Horizontal adapter plate – short version 20/17



Colour variants

NI-L

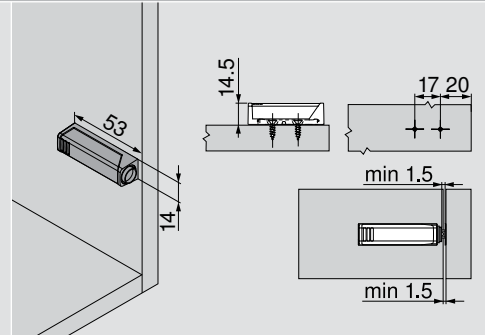
SW

PG

TS

956.1201

- TIP-ON horizontal adapter plate
- Assembly using chipboard screws \varnothing 3.5 mm or \varnothing 4 mm or with system screws
- Material: Nylon
- TIP-ON must be ordered separately



Horizontal adapter plate – long version 20/32



Colour variants

NI-L

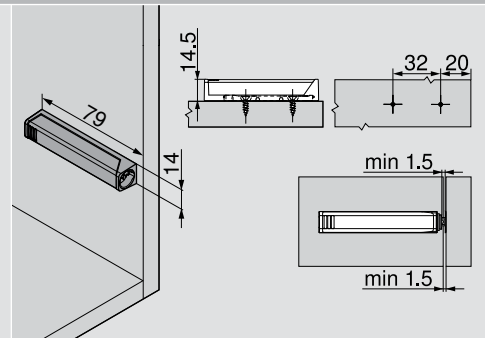
SW

PG

TS

956A1201

- TIP-ON horizontal adapter plate
- Assembly using chipboard screws \varnothing 3.5 mm or \varnothing 4 mm, or system screws
- Material: Nylon
- TIP-ON must be ordered separately



Cruciform adapter plate – long version 37/32

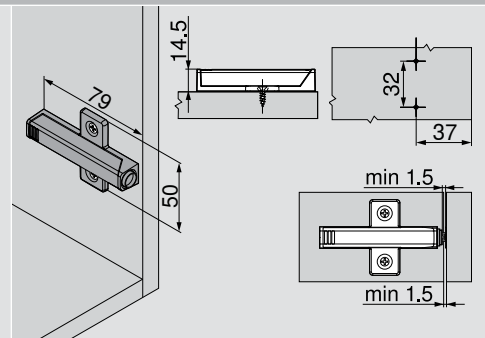


Colour variants

PG

956A1501

- TIP-ON cruciform adapter plate
- Assembly using chipboard screws \varnothing 3.5 mm or \varnothing 4 mm, or system screws
- Material: Nylon
- TIP-ON must be ordered separately



Cruciform adapter plate – long version 37/32 (EXPANDO)

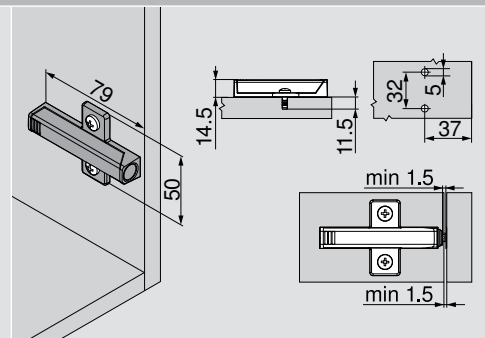


Colour variants

PG

956A15E1

- TIP-ON cruciform adapter plate
- Assembly using chipboard screws \varnothing 3.5 mm or \varnothing 4 mm, or system screws
- Material: Nylon
- TIP-ON must be ordered separately

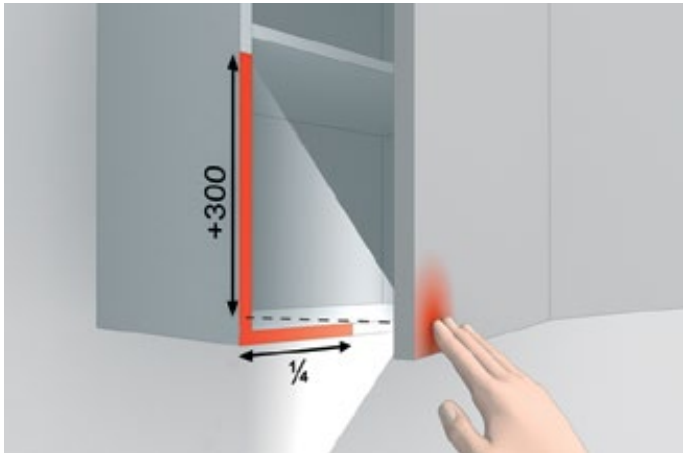


TIP-ON for doors

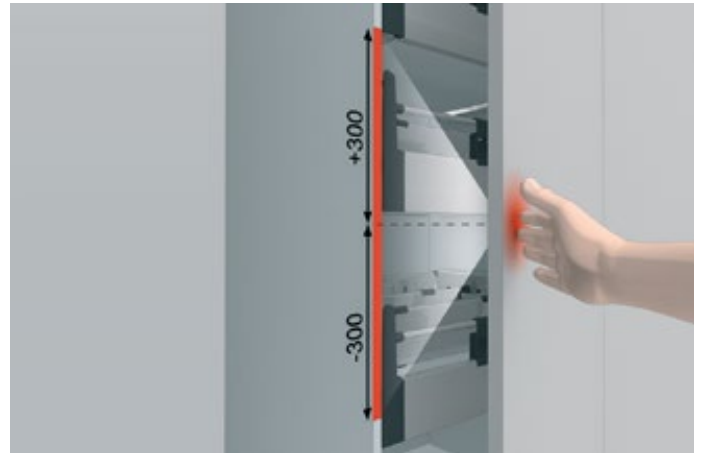


Ordering and planning information

Assembly position



Optimal opening support is ensured when the TIP-ON unit is attached in the correct handle position.



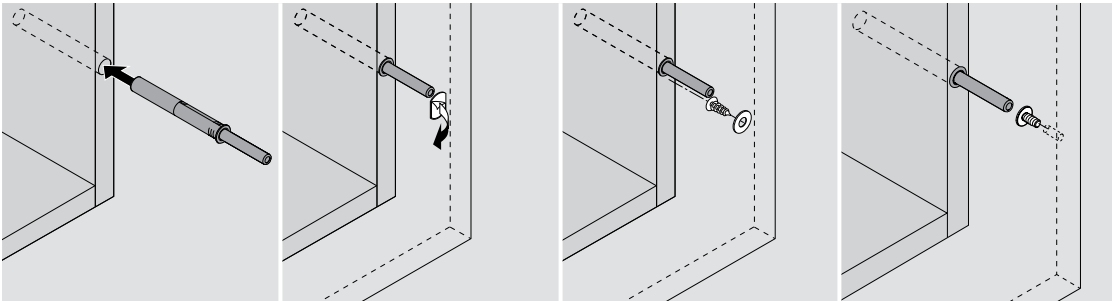
This can deviate ± 300 mm vertically and up to a quarter of the cabinet width horizontally.

TIP-ON for doors



Assembly, removal and adjustment

Short/long version for drilling



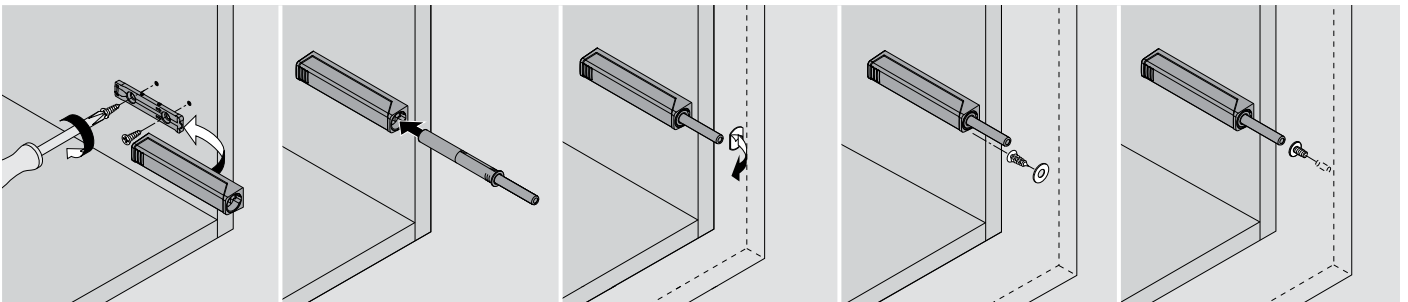
Assembly

Glue-on catch plate

Screw-on catch plate

Press-in catch plate

Horizontal adapter plate



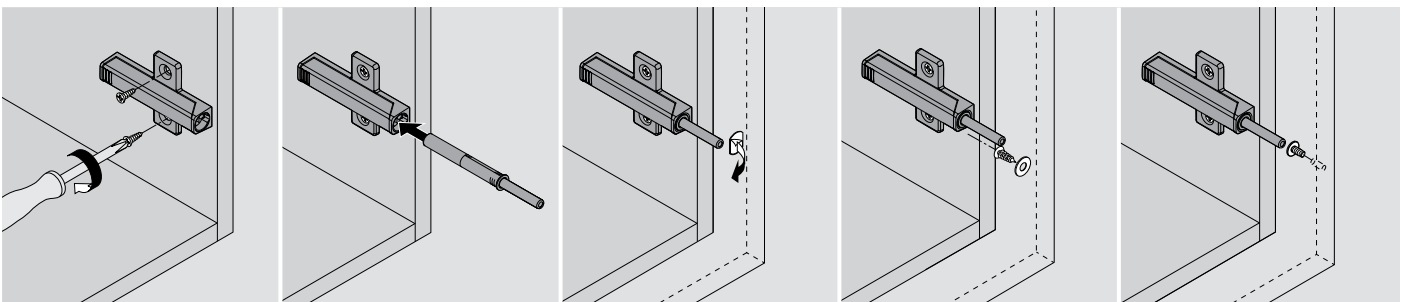
Assembly

Glue-on catch plate

Screw-on catch plate

Press-in catch plate

Kreuzadapterplatte



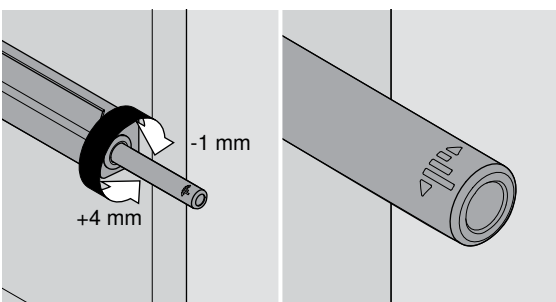
Assembly

Glue-on catch plate

Screw-on catch plate

Press-in catch plate

Cruciform adapter plate



Julius Blum GmbH
Furniture Fittings Mfg.
6973 Höchst, Austria
Tel.: +43 5578 705-0
Fax: +43 5578 705-44
E-mail: info@blum.com
www.blum.com

